

Chariot élévateur à mat frontal 3,7m DOOSAN - D30G

TECHNICAL SPECIFICATIONS

Pneumatic Forklift Trucks

G20G / G25G / G30G

D20G / D25G / D30G

2,000kg to 3,000kg Capacity

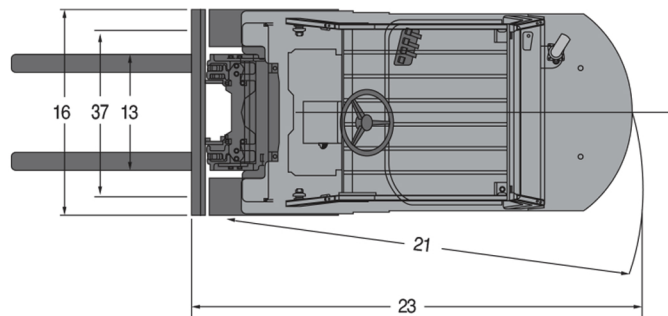
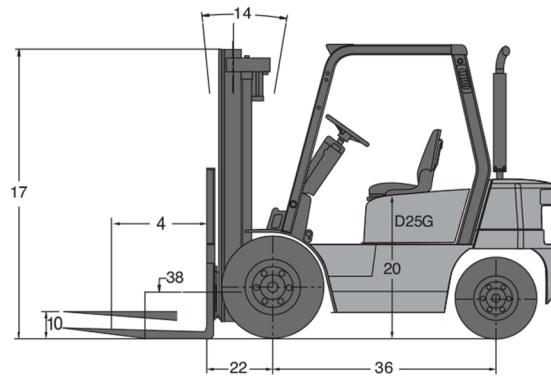


Chariot élévateur à mat frontal 3,7m DOOSAN - D30G

CHARACTERISTICS	2	Model		D30G	
	3	Capacity	at rated load center	kg 3000	
	4	Load center	Distance	mm 500	
	5	Power type	Diesel, Gasoline, Lp - gas	Diesel	
	6	Operator type	Stand - on, Driver - seated	Driver Seated	
	7	Tire type	C = cushion, P = pneumatic	P	
	8	Wheels(x = driven)	Number, front / rear	× 2 / 2	
	DIMENSIONS	9	Lift with STD	Max. fork height	mm 3000
10		Two - stage mast	Free lift	mm 156	
12		Fork carriage	ISO class	III	
13		Forks	Thickness x width x length	mm 45 x 122 x 1050	
		Fork spacing	Minimum x maximum	mm 272 x 1042	
14		Tilt of mast	Forward / backward	deg 6 / 12	
15		Overall Dimensions	Length to fork face	mm 2662	
16			Width	mm 1228	
17			Max lowered height	mm 2053	
18			Mast extended height	mm 4280	
19			Overhead guard height	mm 2160	
20		Seat height	mm 1185		
21		Turning radius	Minimum outside	mm 2375	
22	LMC	Load Moment Center	mm 482		
23	Aisle 90° stacking	add load length	mm 2857		
23a	Aisle 90° intersecting		mm 2290		
PERFORMANCE	24	Speeds	Travel : loaded / unloaded	km/h 20 / 21.5	
	25		Lift : loaded / unloaded	mm/s 490 / 570	
	26	Lowering : loaded / unloaded	mm/s 510 / 460		
	28	Drawbar pull	Loaded at 1.6 km / h	kg 1750	
30	Gradeability	Loaded at 1.6 km / h	% 24		
WEIGHT	32	Total weight	Unloaded	kg 4460	
	33	Axle load	With load : front / rear	kg 6560 / 900	
	34		Without load : front / rear	kg 1750 / 2710	
	35		Number of front / rear	2 / 2	
CHASSIS	36	Tires	Size, front	28 x 9 - 15 - 12PR	
	37		Size, rear	6.50 x 10 - 10PR	
	38	Wheelbase	Distance	mm 1650	
	39	Tread width	Front	mm 1000	
	40		Rear	mm 980	
	41	Clearance	Loaded	at lowest point	mm 118
	42			at center of truck	mm 132
43	Brakes	Service(Foot)	hydraulic		
43		Parking(H-Hand)	mech		
POWER TRAIN	45	Battery	Voltage / ampere - hour	V-AH 12 / 90	
	49	Engine	Model	4TNE98	
	50		Rated Power(DIN)	HP / rpm 59 / 2300 kW / rpm 43.7 / 2300	
	51		Maximum Torque	N-m / rpm 181 / 1600	
	52		Cylinders / displacement	cc 4 / 3319	
	55	Transmission	Type	powershift	
	57		Number of speeds (Fwd/Rev)	1 / 1	
	Relief pressure	System	bar 216		
		Attachments	bar 156		



D30G
3,000kg
Diesel, Pneumatic Tire



D/G30G

Mast type	Maximum Fork Height	Maximum Lowered Height	Fully Extended Height	Free Lift	Rated Load Capacities					
					D/G30G					
					Tilt Angle				Load Capacities	
					Single Pneu.		Double Pneu		Single Pneu.	Double Pneu
						LC 500mm	LC 500mm			
	mm	mm	mm	mm	deg	deg	deg	deg	kg	kg
STD	3000	2045	4230	158	6	12	6	12	3000	3000
	3300	2195	4530	158	6	12	6	12	3000	3000
	3500	2295	4730	158	6	12	6	12	3000	3000
	4000	2595	5330	158	6	6	6	12	3000	3000
	4500	2845	5830	158	6	4	6	12	2600	2975
FF	5000	3095	6330	158	6	4	6	6	1825	2875
	3210	2145	4460	940	6	12	6	12	3000	3000
FFT	4270	2005	5540	800	6	6	6	12	2850	2925
	4710	2145	5960	940	6	4	6	12	2425	2825
	5540	2495	6785	1290	6	4	6	6	1375	2650
	5990	2645	7235	1440	6	4	6	4	975	2550